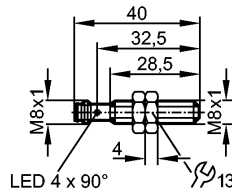


IE5338

IEBC003BASKG/AS

Inductive sensors



Made in Germany



Product characteristics

Inductive sensor
Metal thread M8 x 1
Connector
Operation as 3-wire or 2-wire possible
Sensing range 3 mm; [f] flush mountable

Electrical data

Electrical design	3-wire DC PNP; 2-wire DC PNP/NPN
Operating voltage [V]	10...30 DC (PELV); "supply class 2" to cULus.
Current consumption [mA]	< 15
Protection class	III
Reverse polarity protection	yes

Outputs

Output function	normally open
Voltage drop [V]	< 3.5
Minimum load current [mA]	2; only in 2-wire operation
Leakage current [mA]	< 0.5 *)
Current rating [mA]	100
Short-circuit protection	pulsed
Overload protection	yes
Switching frequency [Hz]	800

Range

Sensing range [mm]	3
Operating distance [mm]	0...2.4

Accuracy / deviations

Correction factors	mild steel = 1 / stainless steel approx. 0.7 / brass approx. 0.5 / Al approx. 0.4 / Cu approx. 0.3
Hysteresis [% of Sr]	1...20

Environment

Ambient temperature [°C]	0...60
Protection	IP 65 / IP 67; with ifm socket duly screwed on

Tests / approvals

EMC	EN 61000-4-2 ESD: 4 kV CD / 8 kV AD EN 61000-4-3 HF radiated: 10 V/m (80...2000 MHz) EN 61000-4-4 Burst: 2 kV EN 61000-4-5 Surge: 0.5 kV (line to line, Ri: 20hm) EN 61000-4-6 HF conducted: 10 V (0.15...80 MHz) EN 55011: class B EN 60947-5-2
-----	--

IE5338

IEBC003BASKG/AS

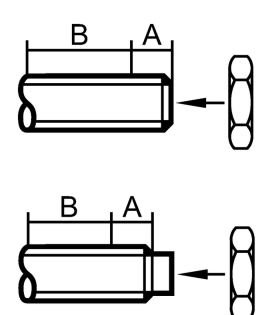
Inductive sensors

MTTF	[Years]	2046
------	---------	------

Mechanical data

Mounting	flush mountable
----------	-----------------

Housing materials	Brass special coating; active face: LCP orange; lock nuts: Brass
-------------------	--

Installation	
--------------	--

Tightening torque	[Nm]	≤ 1 (A = 5 mm) ≤ 2 (B)
-------------------	------	-------------------------------------

Weight	[kg]	0.019
--------	------	-------

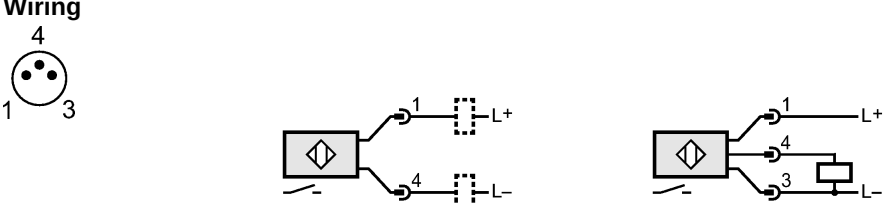
Displays / operating elements

Output status indication	LED	yellow (4 x 90°)
--------------------------	-----	------------------

Electrical connection

Connection	M8 connector
------------	--------------

Wiring



Accessories

Accessories (included)	2 lock nuts
------------------------	-------------

Remarks

Remarks	*) only in 3-wire operation
---------	-----------------------------

Pack quantity	[piece]	1
---------------	---------	---